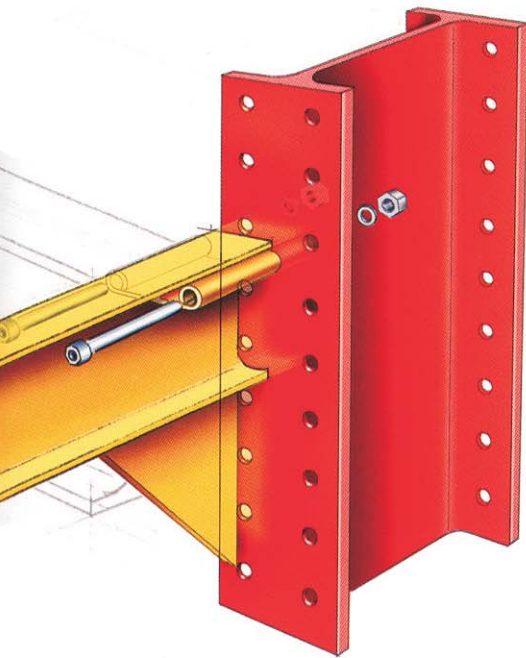




METALSISTEM®

UNICANT

MODULAR CANTILEVER RACKING
FOR THE STORAGE OF LONG GOODS

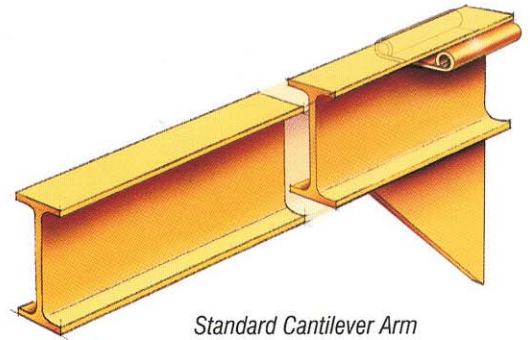


Connection between UNICANT arm and column

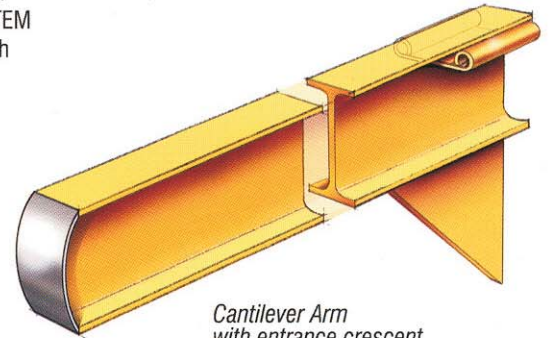
The connection between the column and the cantilever arm is created with only two high resistance bolts (class 12.9 according to DIN 912).

The geometry of this unique connection is the result of exhaustive structural analysis and meticulous testing aimed at creating a connection which will provide METALSISTEM Clients maximum ease of use coupled with top performance.

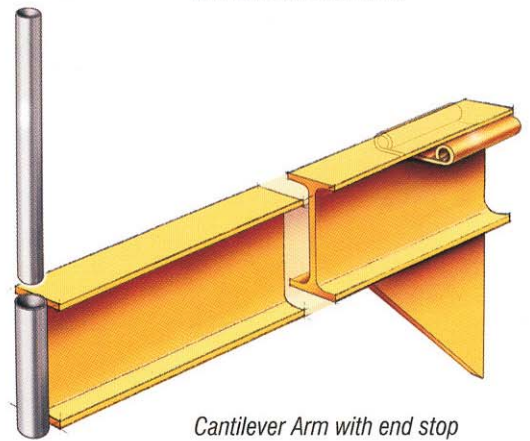
The simplicity of the connection coupled with the wide range of pre-assembled accessories available on cantilever arms ensure a particularly fast and effortless assembly of UNICANT cantilever structures.



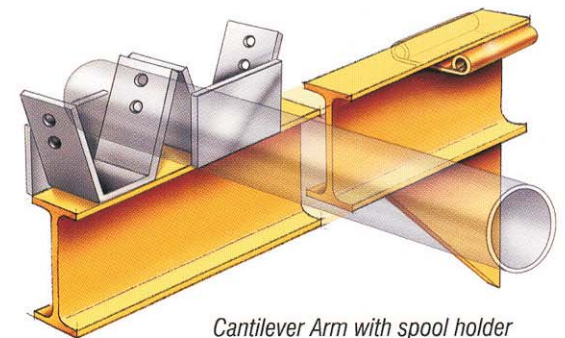
Standard Cantilever Arm



Cantilever Arm with entrance crescent



Cantilever Arm with end stop

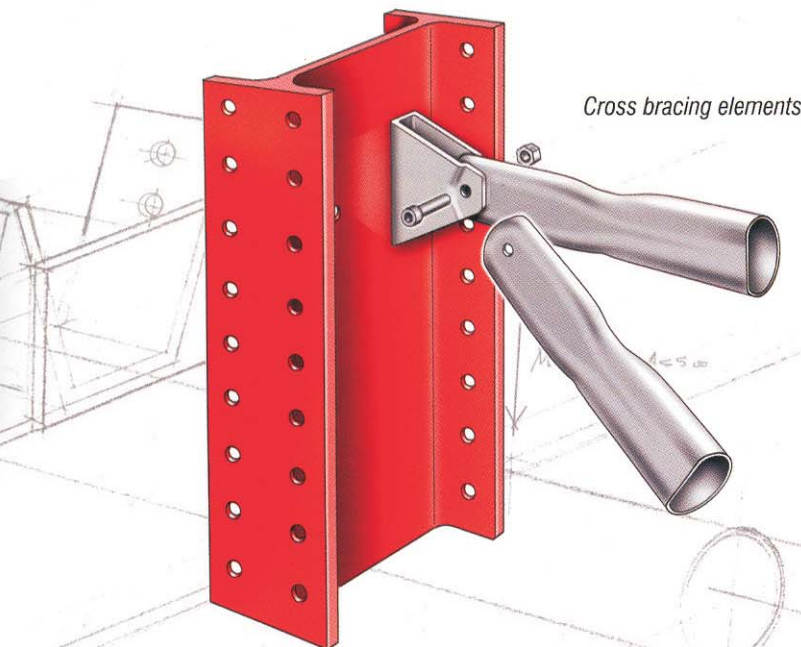


Cantilever Arm with spool holder

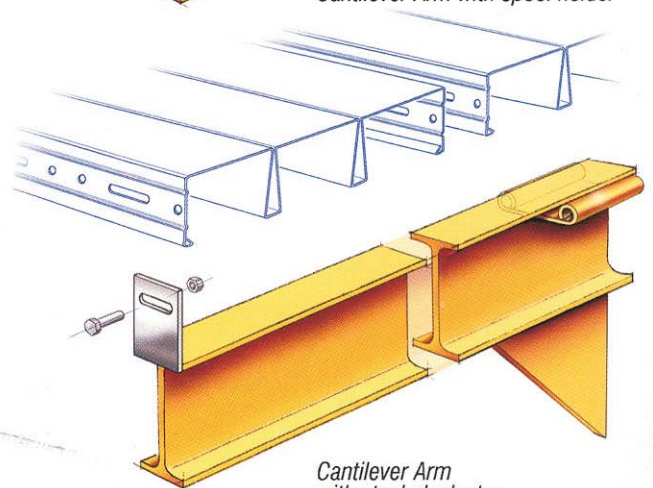
All structural components of the UNICANT cantilever are made from IPE sections ranging from IPE180 to IPE300. The wide range of profile dimensions provide a broad scope of load bearing capacities: from 355daN to 2000 daN for the cantilever arms; and up to 35000 daN for the columns.

The UNICANT cantilever arms can be accessorised with steel planks, thus creating open storage levels clear of obstacles. The addition of steel planks - available in three different versions, smooth, moulded or perforated - allow goods of varying volume as well as pallets of varied dimensions to be stored with the maximum of ease. The steel plank stops welded at the end of the cantilever arms provide a secure and long lasting footing for the steel plank panels.

The horizontal and diagonal spacer bars which create the bracing of the UNICANT cantilever are closed galvanised sections manufactured by METALSISTEM using sophisticated roll forming technology. The use of closed profiles coupled with the application of industrialised production techniques for the creation of the UNICANT structural connections provide a clear advantage in terms of quality and cost efficiency.



Cross bracing elements



Cantilever Arm with steel plank stop

METALSISTEM®



FEM section X

METALSISTEM®



38068 Rovereto (TN) - Italy - Viale dell'Industria, 2 - Tel. +39 0464 303030 - Fax +39 0464 303031
e-mail: info@metalsistem.com - Internet: www.metalsistem.com



Contributori
Acciaio
Industriale



ASSOCIAZIONE
ITALIANA DI ACCIAIO
IN ACCIAIO ITALIANO



FEM section X

AZIENDE GRUPPO METALSISTEM / METALSISTEM GROUP MEMBERS

SERVIZIO / SERVICE



55 West Beaver Creek Road, Unit #7
Richmond Hill - Ontario - L4B 1K5 - CANADA
Tel. +1 905 8869499
Fax +1 905 8866890
info@metalsistemcanada.com
www.metalsistemcanada.com



98 International square,
Tullamarine, VIC, 3043 - AUSTRALIA
Tel. +61 03 9310 5939
Fax +61 03 9310 5938
info@metalsistemaustralia.com
www.metalsistemaustralia.com



Philadelphia, Pennsylvania (PA)
Office and Showroom:
428 North 2nd St. Philadelphia, PA 19123 USA
Tel. +1 215 430 0730 Fax: +1 215 430 0731
Warehouse:
3201 Fox St. Philadelphia, PA 19129 USA
Miami, Florida (FL)
2101 W. Atlantic Blvd. Unit 110,
Pompano Beach, FL 33069
info@metalsistemnorthamerica.com
www.metalsistemnorthamerica.com
Toll Free phone number +1 866 412 5558



Rue de l'Industrie 4-6 - Z.I.
L-8399 Windhof - Luxembourg
Tel. +352 39 72 06
Fax +352 39 92 30
info@luxmetalsistem.eu
www.luxmetalsistem.eu



Via Industria
06814 Lamone - Canton Ticino
SWITZERLAND
Tel. +41 91 94 63425
Fax +41 91 94 63426
info@metalsistemticinologic.com
www.metalsistemticinologic.com



63033 Montepadone
Centobuchi (AP) Italy
Via del Lavoro, 16
Tel. 0735 704880
Fax 0735 710413
info@blocksystem.it



80125 Napoli (NA)
Via Provinciale San Gennaro, 12/A
Tel. 081 570 8879
Fax 081 570 1227
info@logsystem.it



60028 Osimo Stazione (AN) Italy
Via Maestri del Lavoro, 17
Tel. 071 710 86 60
Fax 071 710 84 85
metalsis@tin.it



41012 Carpi (MO) Italy
Via C. Marx, 113
Tel. 059 696 450
Fax 059 642 479
info@metalsistememilia.it
www.metalsistememilia.it



20090 Buccinasco (MI) Italy
Via E. Fermi, 6
Tel. 02 45708646
Fax 02 45708647
info@metalsistemlombardia.it



33080 Cusano di Zoppola (PN) Italy
Via Eileo, 11/A
Tel. 043 91 70 77
Fax 0434 91 77
info@metalsistemfriuli.it



07100 Sassari (SS) Italy
Z.I. Prodda Niedda Nord, str. n. 3
Tel. 079 260 559
Fax 079 263 3604
info@metalsistemsardegna.com
www.metalsistemsardegna.com



00040 Pomezia (RM) Italy
Via dei Castelli Romani, 56/58
Tel. 06 91801333
Fax 06 91621141
info@metalsistemroma.it



37060 Caselle
di Sommacampagna (VR) Italy
Via dell'Artigianato, 24
Tel. 045 858 12 12
Fax 045 858 11 66
info@vierresistem.it



Via Messina Montagne, 8
90121 Palermo (PA)
Tel. 091 492 351/362316
Fax 091 6374543
glsistem@inwind.it



10028 Trofarello (TO) Italy
Via Torricelli, 39
Tel. 011 649 75 69
Fax 011 649 84 69
info@metalsistempiemonte.com



06037 Foligno (PG) Italy
Via delle Industrie, snc
Loc. Portoni di S. Eraclio
Tel. 0742 39 16 34
Fax 0742 39 36 55
info@metalsistemumbria.it
www.metalsistemumbria.it



50041 Calenzano (FI) Italy
Via del Pratignone, 70
Tel. 055 887 36 33
Fax 055 887 46 52
info@soteasistem.com
www.soteasistem.com



40026 Imola (BO) Italy
Via Faenza, 4A
Tel. 0542 64 39 81
Fax 0542 64 38 52
info@metalsistemromagna.it



25124 Loc. Foltano (BS) Italy
Via Tito Baresani, 13/15
Tel. 030 266508
Fax 030 2160301
info@teknosistem.it



35011 Campodarsego (PD) Italy
Via Antoniana, 286
Tel. 049 9201417
Fax 049 5564755
info@centrometalsistem.it



91220 Le Plessis Paté PARIS France
11, Rue Leonard de Vinci - Z.I. Du Parc
Tel. +33 1 60851845
Fax +33 1 60849554
info@sidac-evolution.net



08110 Moncada I Reixac BARCELONA Spain
C/ Narcis Monturiol n°4 nave 14
Tel. +34 935 651 800
Fax +34 935 651 801
sidac-iberia@sidac-iberia.com

PRODUZIONE / PRODUCTION



SISTEMI E STRUTTURE PER IL MAGAZZINO

38068 Rovereto (TN) Italy
Viale dell'Industria, 2
Tel. 0464 30 30 30
Fax 0464 30 30 31
info@metalsistem.com
www.metalsistem.com



25064 Gussago (BS) Italy
Via Mandolossa, 100
Tel. 030 25 28 500
Fax 030 25 28 500
info@sidac.net



21013 Gallarate (VA) Italy
Via Monte Leone, 25
Tel. 0331 79 36 19
Fax 0331 77 04 07
info@luonisistem.it
www.luonisistem.it



Slavkov 284
687 64 Horni Nemci (UH)
Repubblica Ceca
tel +420 572 648615
fax +420 572 648071
kredit@oskredit.cz
www.kredit.cz



70017 Pułgiano (BA) Italy
Via Maestri del Lavoro n.c. - Z.I.
Tel. 080 405 41 54
Fax 080 405 41 43
info@smetar.it
www.smetar.it